

Drum Screen – Fine Screening



Description:

Drumtec is a rotating drum screen built for heavy pretreatment applications such as draining, mud thickening, and sandy or industrial water treatment.

This product is highly recommended for membrane bioreactor (MBR) treatment plants.

Operating Mode:

Wastewater is fed into the rotating drum and sieved through a rotary perforated drum screen. The solid waste is retained in the drum, while water flows through the screen perforations. This equipment with perforated plate from 800 microns to 10mm suited a wide range of projects.

Large auger flights convey the solids to the conveyor/compactor Compactec, which collects the screenings, reduces their volume and weight, and discharges them into the container. Spray bars assure the self-cleaning process and are easy to replace.

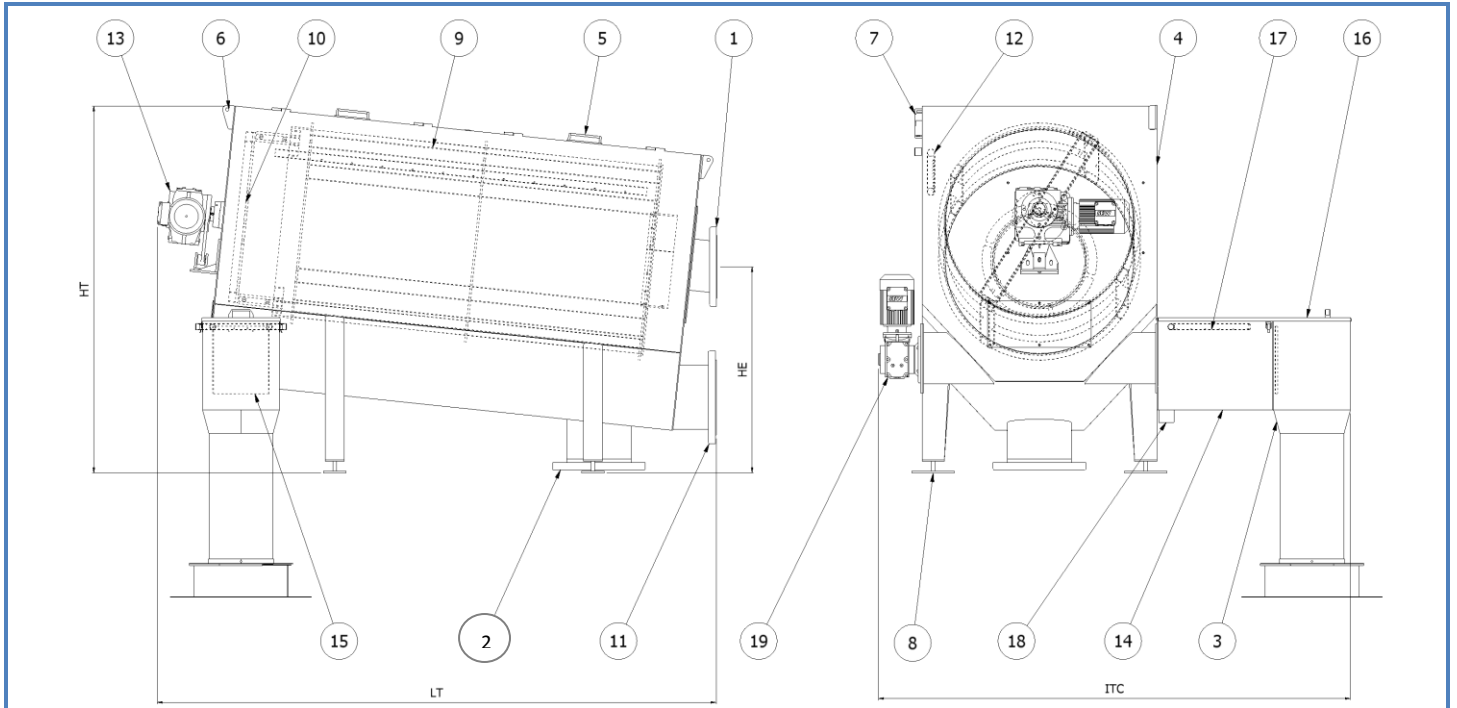
Specifications:

- Perforating: from 0.8 to 5mm (1/32" to 13/64")
- Flow: Up to 6.5mgd (1000m³/h)
- 50% volume reduction
- Spray bars

BENEFITS

- Suitable for heavy water treatment projects
- Efficient removal of hair and fiber
- Useful for vary applications
- Easy installation
- Built-in Conveyor/compactor module

Drum Screen – Fine Screening



DRUMTEC DESIGN:

- | | | |
|-------------------------------|----------------------------------|-----------------------------------|
| 1 – Effluents entrance | 8 – Adjustable feet | 14 – Compactor |
| 2 – Clean water exit | 9 – Drum screen | 15 – Compression lid |
| 3 – Screenings' hopper | 10 – Drums' drive-shaft | 16 – Maintenance hood (compactor) |
| 4 – Closed frame | 11 – Upstream surplus (optional) | 17 – Spray bars (compactor) |
| 5 – Hood | 12 – Spray bars | 18 – Drain valve |
| 6 – Lifting' rings | 13 – Gearmotor (Drum screen) | 19 – Gearmotor (compactor) |
| 7 – Safety for hoods' opening | | |