

## Drum Screen – Fine Screening



### Description:

Rotatec is an externally fed rotating drum screen built for heavy pretreatment applications.

This self cleaning equipment with wedgewires from 500 micros to 3mm suited a wide range of projects and can handle a large flow capacity.

### Operating Mode:

Rotatec has the wastewater fed outside of the drum that continuously rotate and direct the influent all over the length of the cylinder. Screenings are retained by the scraper and then drop to the conveyor/compactor Compactec, which collects the screenings, reduces their volume and weight, and discharges them into the container. Spray bars assure the self-cleaning process and are easy to replace.

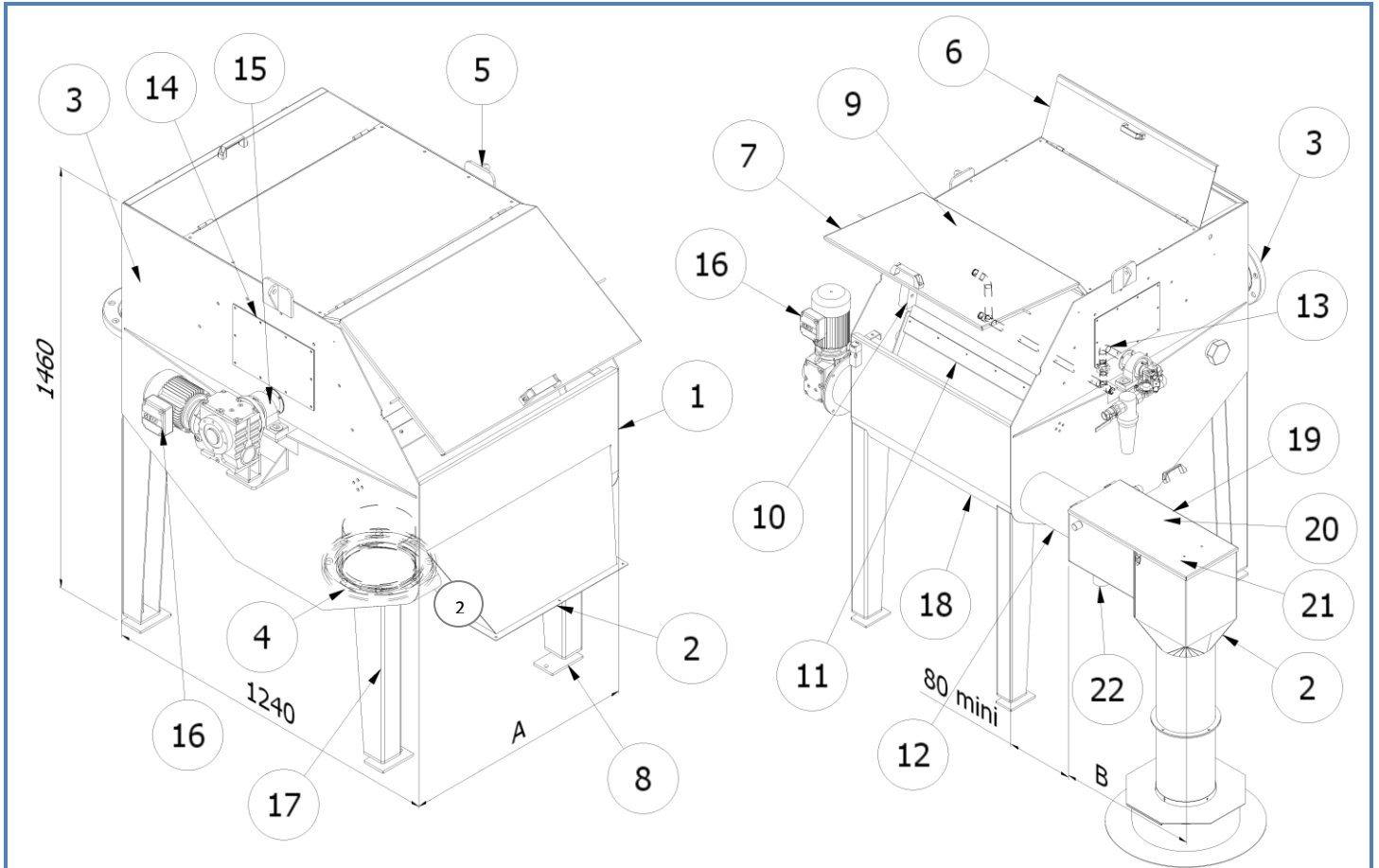
### Specifications:

- Perforating: from 0.5 to 3mm
- Flow: Up to 5mgd
- 60% volume reduction
- Spray bars

### BENEFITS

- Suitable for heavy water treatment projects
- Low to No maintenance
- Useful for vary applications
- Easy installation
- Simplified rotating arm
- Built-in Conveyor/compactor module

## Drum Screen – Fine Screening



### ROTATEC DESIGN:

- |                        |                                  |                          |
|------------------------|----------------------------------|--------------------------|
| 1 – Closed frame       | 9 – Drum screen                  | 17 – Adjustable feet     |
| 2 – Screenings' hopper | 10 – Water tightness             | 18 – Closed frame        |
| 3 – Influent Entrance  | 11 – Scraper and Support         | 19 – Compactor's head    |
| 4 – Exit               | 12 – Compactor                   | 20 – Spray bars (option) |
| 5 – Lifting' rings     | 13 – Spray bars                  | 21 – Compression lid     |
| 6 – Maintenance hood   | 14 – Maintenance hood spray bars | 22 – Exit                |
| 7 – Hood               | 15 – Support tool                |                          |
| 8 – Adjustable feet    | 16 – Gearmotor                   |                          |