

Mechanical Vertical Bar Screen



Specifications:

- **Screen openings:** 10 to 100mm (3/8" to 4")
- **Flow:** up to 120mgd (m³/h)
- **Height:** up to 33' (10m)
- **Width:** 1.3' to 9.8' (400mm to 3000mm)
- **Discharge height:** 4' (1200mm)

BENEFITS

- Highly cost-effective technology
- No inclination
- Easy installation
- Low maintenance



Description:

Screenotec is a low maintenance, mechanical vertical bar screen.

Its vertical design allows installations for **Headworks, deep well, lift station and pump stations** with few or no structural changes.

Easy to install, this system can be custom-built for any project. Screenotec is equipped with polyester strap resistant to frost and chemicals agents.

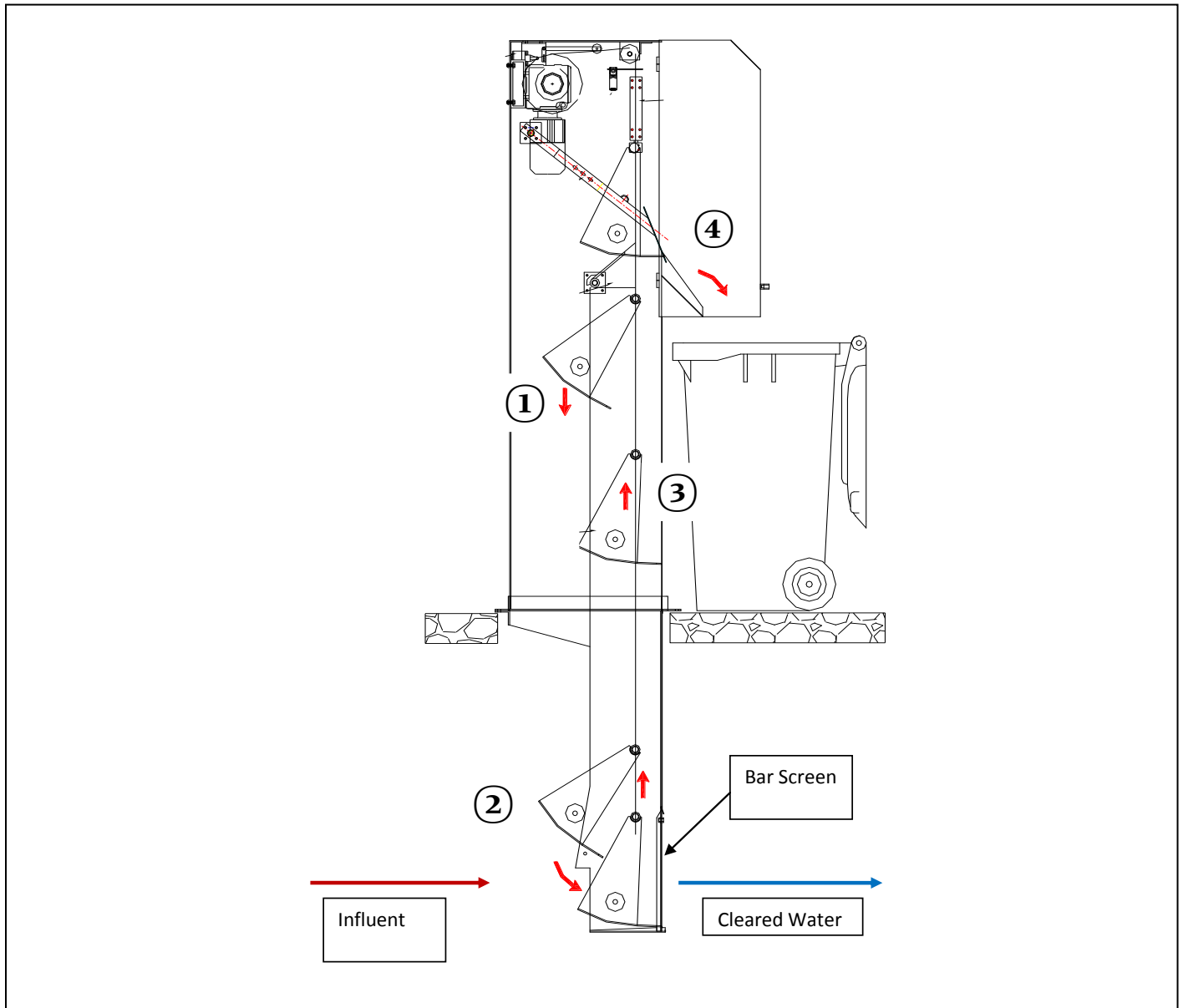
Operating Mode:

A shovel-rake set mounted on a sturdy strap collects solid wastes from the bottom of the channel. Screenings are then dropped in the waste disposal area. Cycles are based on a timer, a float (water level sensor) can also be placed upstream of the equipment and start the process in case of overflow.

The Compactec conveyor/compactor can be used with Screenotec to further reduce transportation costs and enhance workers' safety.



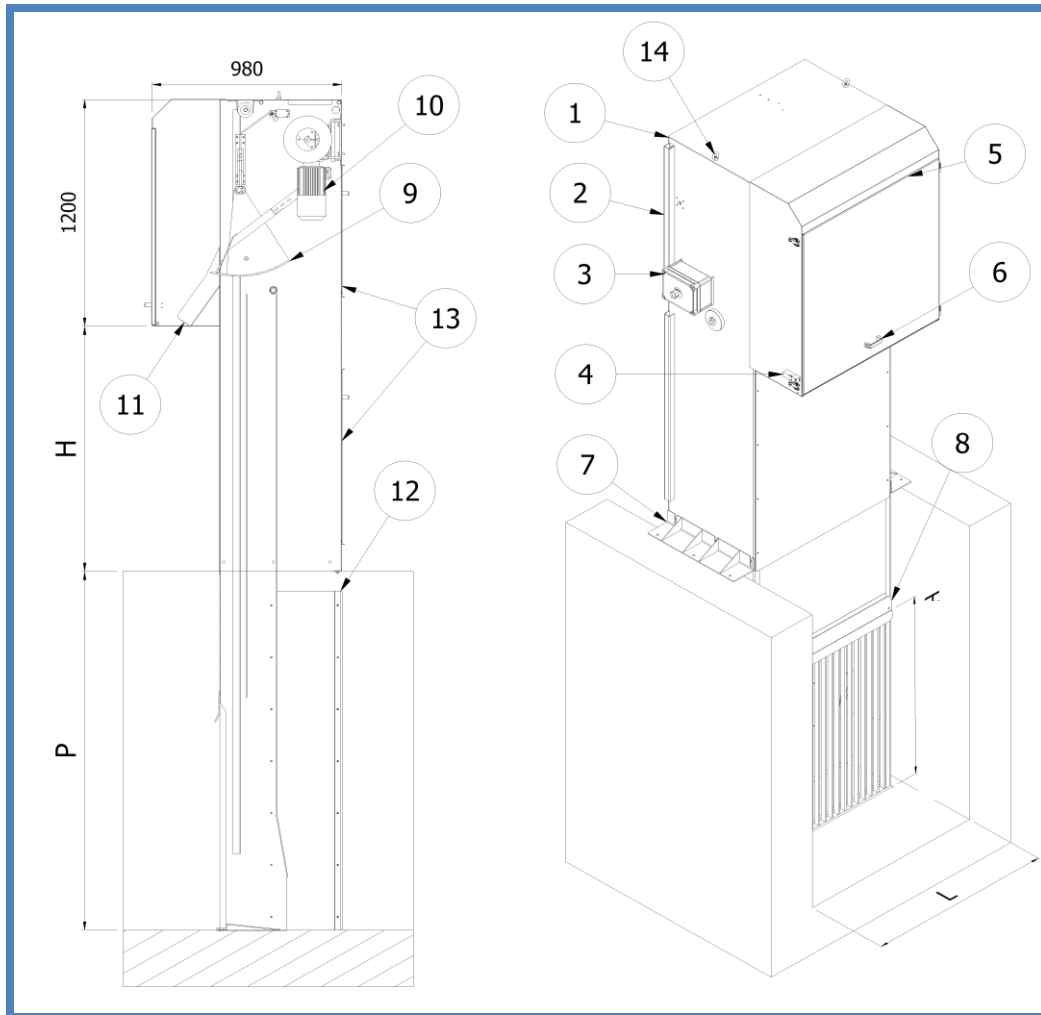
Mechanical Vertical Bar Screen



Actions:

- ① The Rake set up on a sturdy belt is going down following 2 guide rails on each side of the frame.
- ② The Rake collects all the screenings stuck by the bar screen.
- ③ The Rake goes up, lifting up all the collected screenings.
- ④ Screenings are ejected in the dumpster or in a washer compactor Compactec.

Mechanical Vertical Bar Screen



DESIGN :

- | | |
|----------------------------|--------------------------------|
| 1 - Stainless steel frame | 8 - Bar Screen |
| 2 - Cable protection | 9 - Shovel-Rake |
| 3 - Panel Control | 10 - Gearmotor |
| 4 - Safety Hood | 11 - Screenings' Chute |
| 5 - Automatic Locking Door | 12 - Metal Waterproofness Part |
| 6 - Plastic Handle | 13 - Fixed Maintenance Hood |
| 7 - Anchor Bolts | 14 - Lifting Handles |

Mechanical Vertical Bar Screen

Example of implementation, Mendocino - California

1. Context

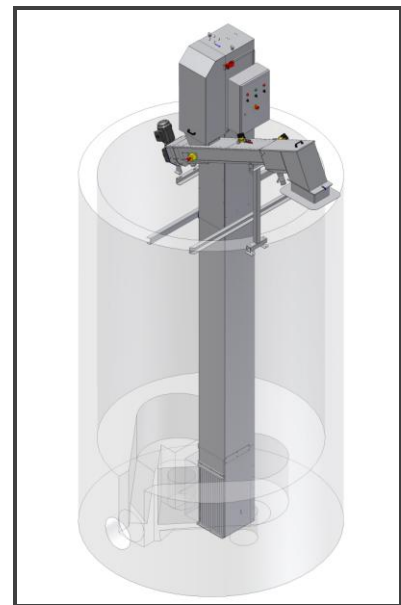


The Headworks' structure is deep and tight. Inside, 2 channels (1 comminutor - 1 grinder) dealing with a maximum flow of 1mgd. When no screening equipment can fit and match these structural constraints, **Screenotec** is usually The Solution.

2. Solution

Thanks to its vertical design, **Screenotec** is able to fit into most of structures with no or few changes. In that particular case, despite a tight and deep well no structural changes were required.

Integrate the washer compactor **Compactec** reduce volume of screenings and improves sanitary conditions.



Mechanical Vertical Bar Screen

Example of implementation, Mendocino - California

3. Installation



As the equipment fit perfectly in the channel, the installation of the **Screenotec** is a fast and easy step.

4. Conclusion

Screenotec is not only a solution for Headworks, thanks to its unique vertical design it can also be installed ahead of a pump station, in a lift station or in a manhole. **Screenotec** will then solves issues with clogged pumps and the manual and unsafe maintenance. It will directly improve the treatment process and will increase the installation life cycle.