

## Static Screen – Fine to Micro Screening



### Description:

Simply designed, Statitec is made for channel installations with large screening areas. Because it functions without any type of energy, Statitec is environmentally conscious.

### Operating Mode:

Located in the channel, Statitec's perforated plate withholds solids collected by gravity at the bottom of the plate.

As wastewater is fed upstream of the plate, gravity draws the solid waste down the screen, where it accumulates. Screenings are then removed manually. This last step can be avoided through the installation of the Compactec.

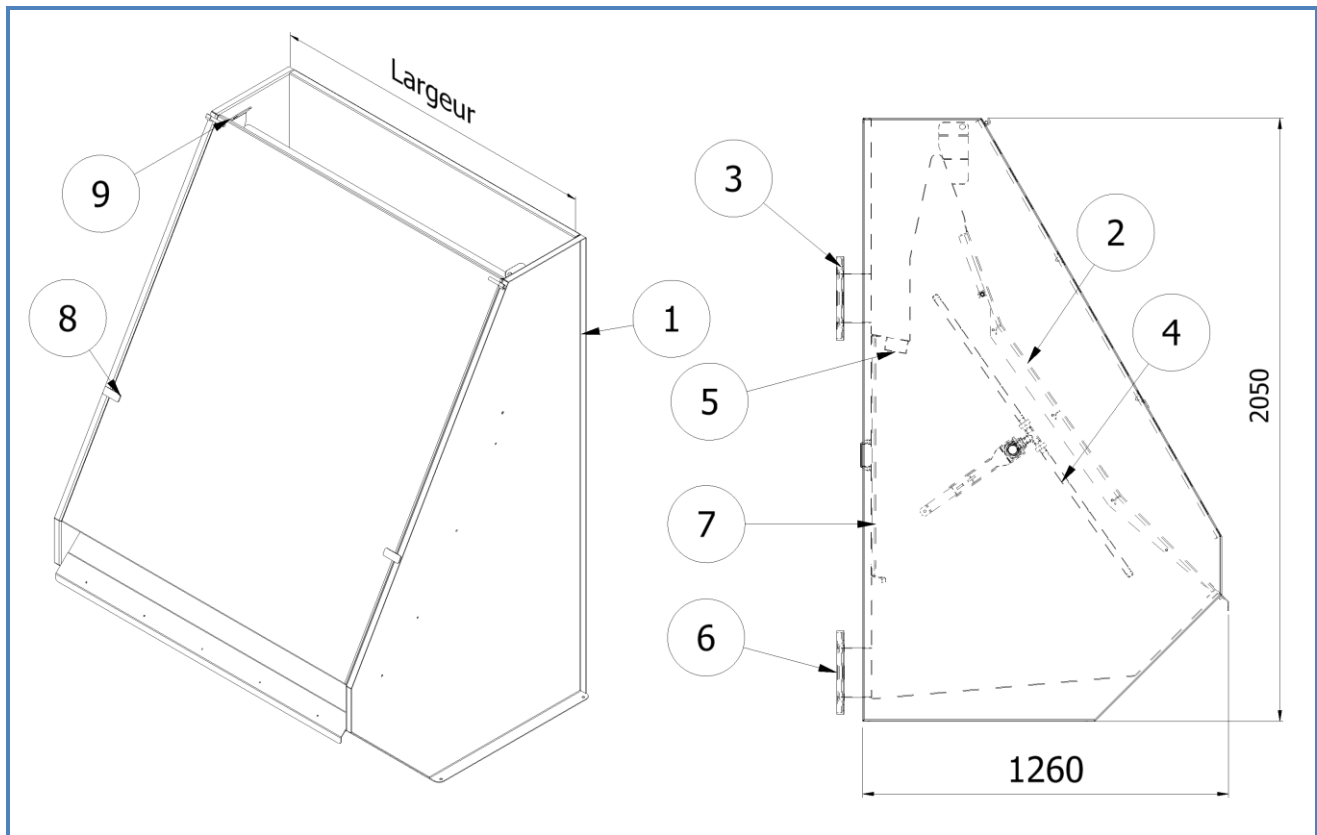
### Specifications:

- Screen openings:  
200µm to 2mm (0.008" to 0.078") with mesh  
2 to 10mm (0.078" to 3/8") with perforated screen
- Flow: up to 1.3mgd (200m<sup>3</sup>/h)
- Height: up to 7.87' (2m)
- Width: 1.64' to 6.6' (500mm to 2000mm)

### BENEFITS

- Eco-Friendly
- Cost-Effective
- No maintenance

## Static Screen – Fine to Micro Screening



### STATITEC DESIGN :

- |                           |                                |
|---------------------------|--------------------------------|
| 1 - Stainless Steel Frame | 6 – Clean water exit           |
| 2 – Screen                | 7 – Maintenance Hood           |
| 3 – Influent entrance     | 8 – Hood protection (optional) |
| 4 – Spray bars            | 9 - Lifting' handles           |
| 5 – Drain                 |                                |